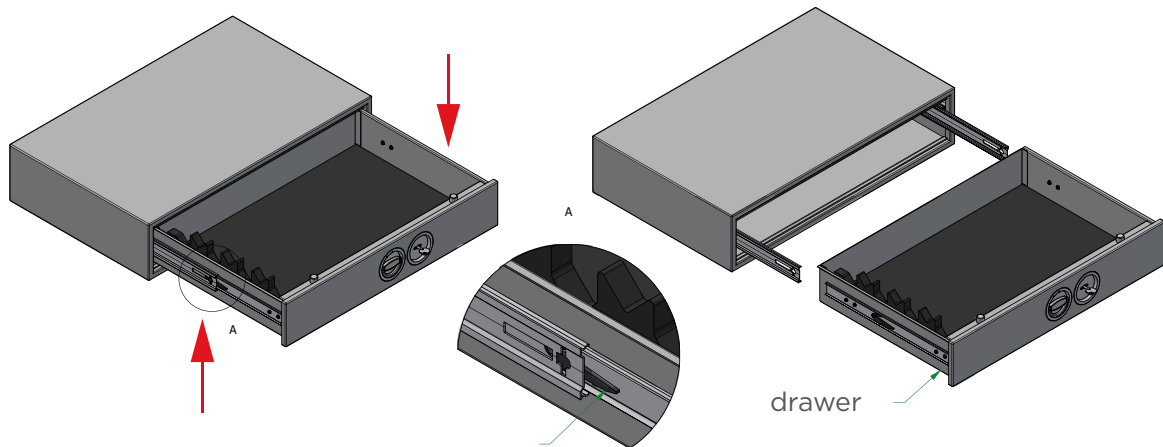


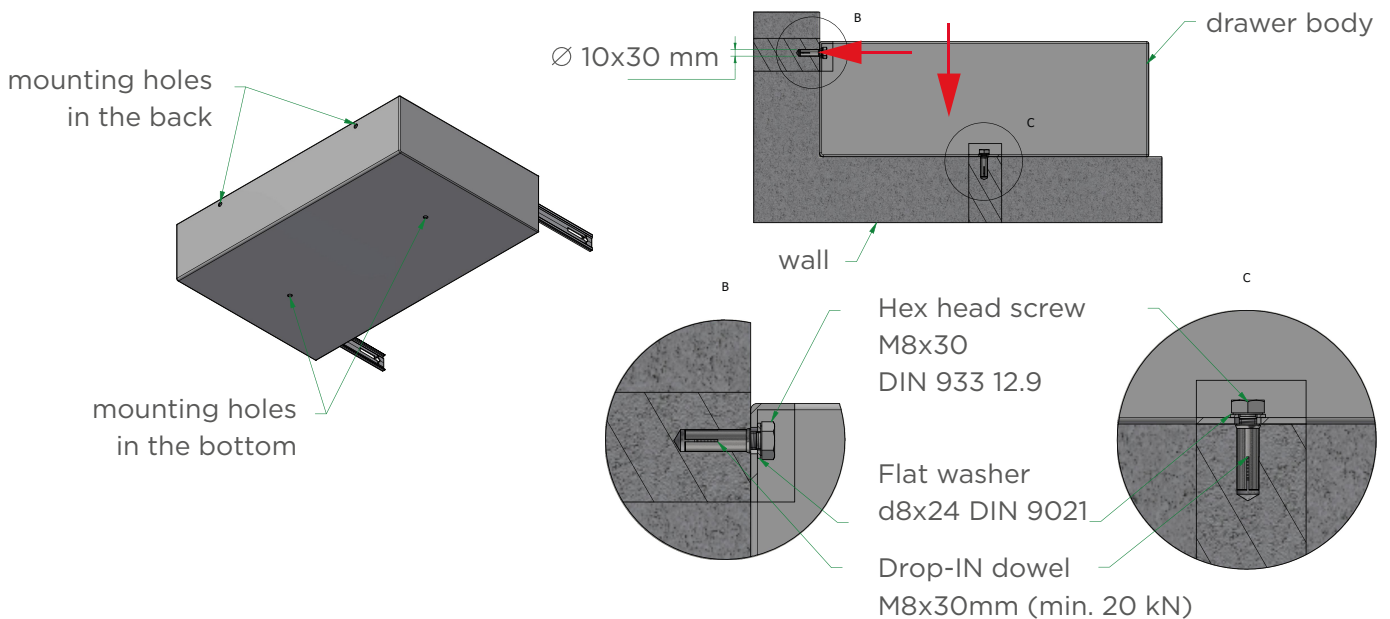
* maximum load capacity of the telescopic rails 120 kg

A Drawer disassembly

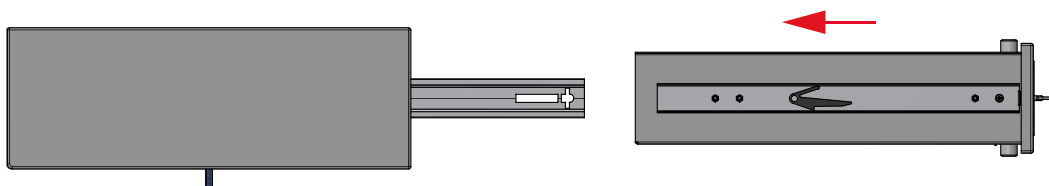


To remove the drawer, pull it out completely until a black lever is visible in each of the rails. Press both levers simultaneously, in opposite directions, (one up one down) while continuing to pull the drawer out. Please note that after the rails are separated, the full weight of the drawer must be held.

B Mounting the body to the wall and the bottom



C Assembly of the drawer in the body



Hold the drawer horizontally and slide the inner rails attached to the drawer into the outer rails in the carcass in the body. Push the drawer completely into the body until the rails engage. Carefully pull the drawer out completely again to test it.