

EASTHOUSE

SCANLOGIC BASIC



SCANLOGIC BASIC SAFE LOCK



The ScanLogic Basic is a very reliable and robust biometric safe lock system ideal for home safes, gun safes and light commercial applications. The ScanLogic Basic features EASTHOUSE's Flame Retardant ABS housing and an RF fingerprint sensor.

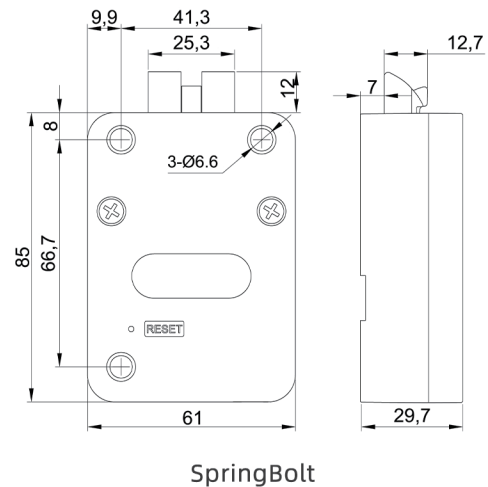
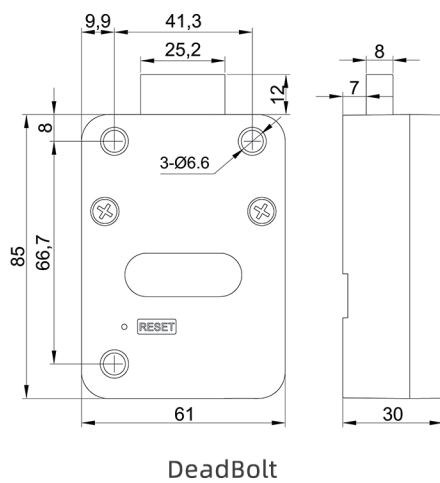
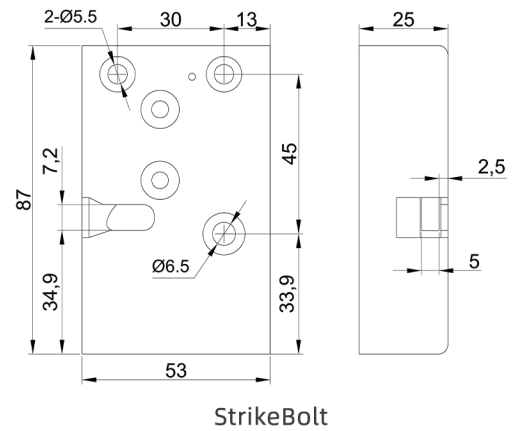
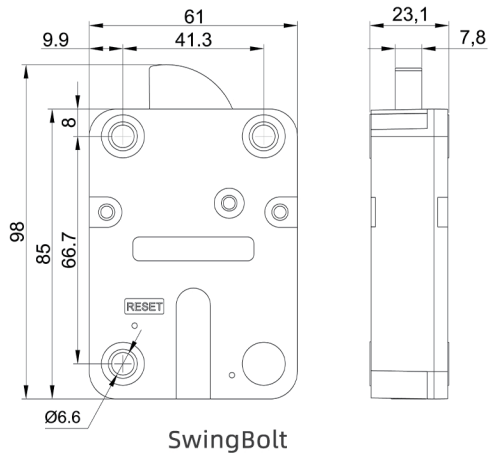
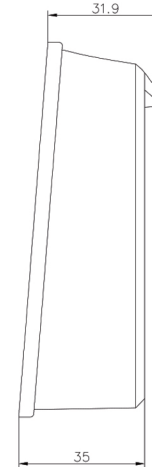
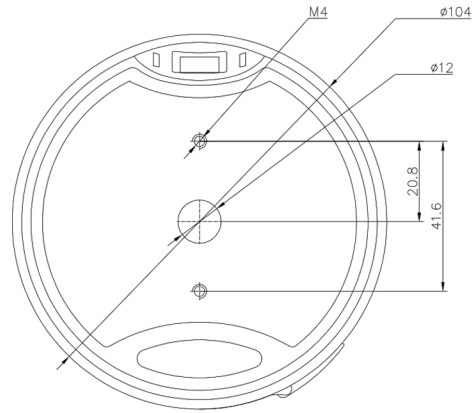
SIMPLE TO USE • RELIABLE

- Simply place your enrolled finger on the sensor and enter your 6 digit code
- ScanLogic Basic supports 2 codes and 5 associated fingerprints per code for a total of 10 fingerprints
- Every EASTHOUSE lock undergoes a 500 cycle quality management program before it leaves the manufacturing facility. Unprecedented commitment to quality and reliability.

FEATURES

- Fast 1 second fingerprint access, sensor quickly reads your fingerprint in any position
- 2 codes and 5 associated fingerprints per code for a total of 10 fingerprints
- 2 security levels: fingerprint + code or code only
- Manager Code adds new fingerprints and switches security level
- Uses active RF sensor for fast authentication and reliable service
- Audible beeps and green/red light indicators makes programming easy
- Reset Code
- Stealth mode - turn beeper on/off
- 4,000+ openings on one 9 Volt battery (AC Power optional)
- Standard footprint and mounting pattern, easy retrofit for any mechanical or electronic safe lock
- Changing the battery is easy with our SureLock battery compartment
- Finish: Matte Black

EASTHOUSE



| Specifications | |
|---------------------|-------------------------|
| Power Supply | (1) 9V Alkaline Battery |
| Battery Life Span | About one year |
| Code Length | 6 Digits |
| Standby Current | <50uA |
| Battery Low Voltage | 6.8+/- 0.2V |
| Operating Humidity | 90% Maximum |

| Certifications |
|----------------|
| Vds class 2 |
| SBSC |
| A2P pending |
| IMP pending |

